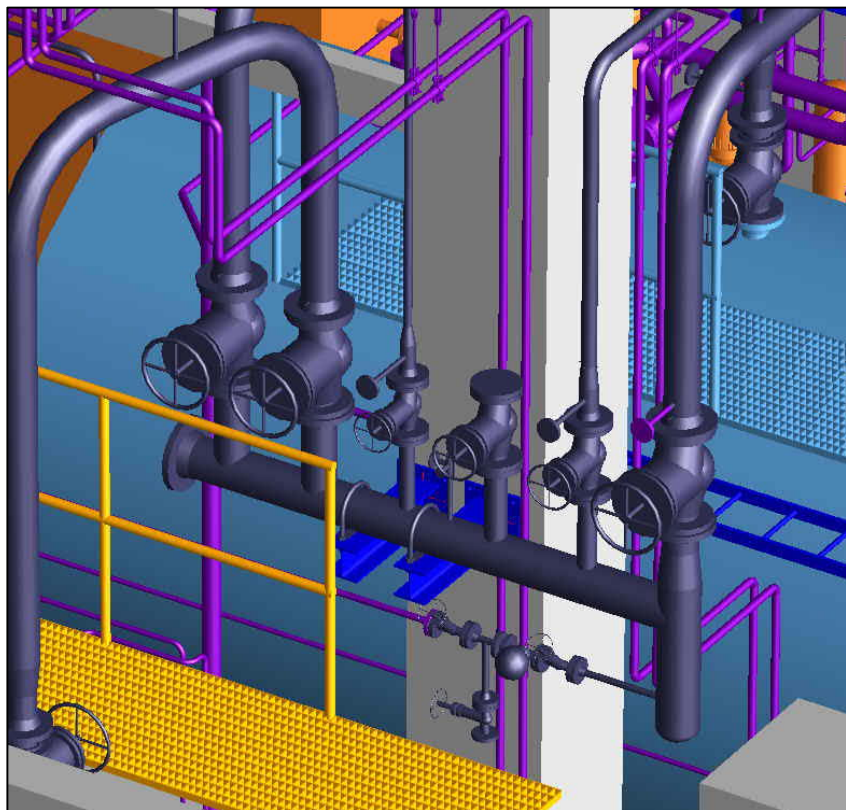
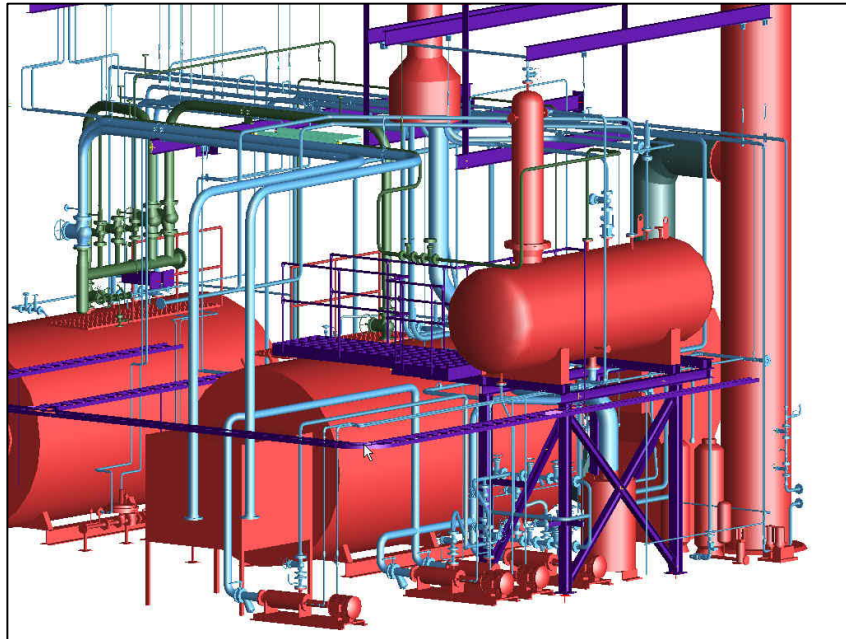


Plantware

Steam Boiler Plant 20t/h@8 bar

R-312

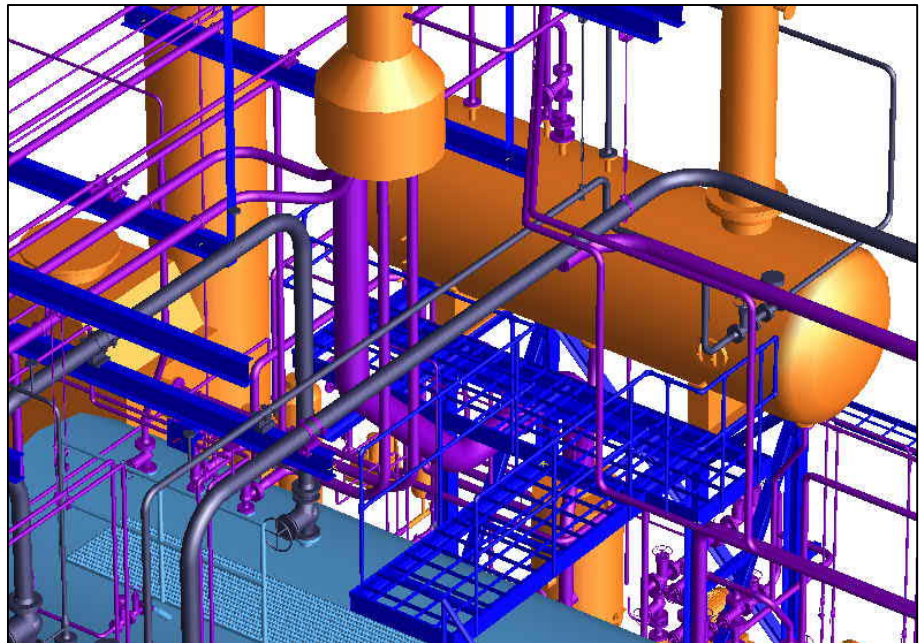
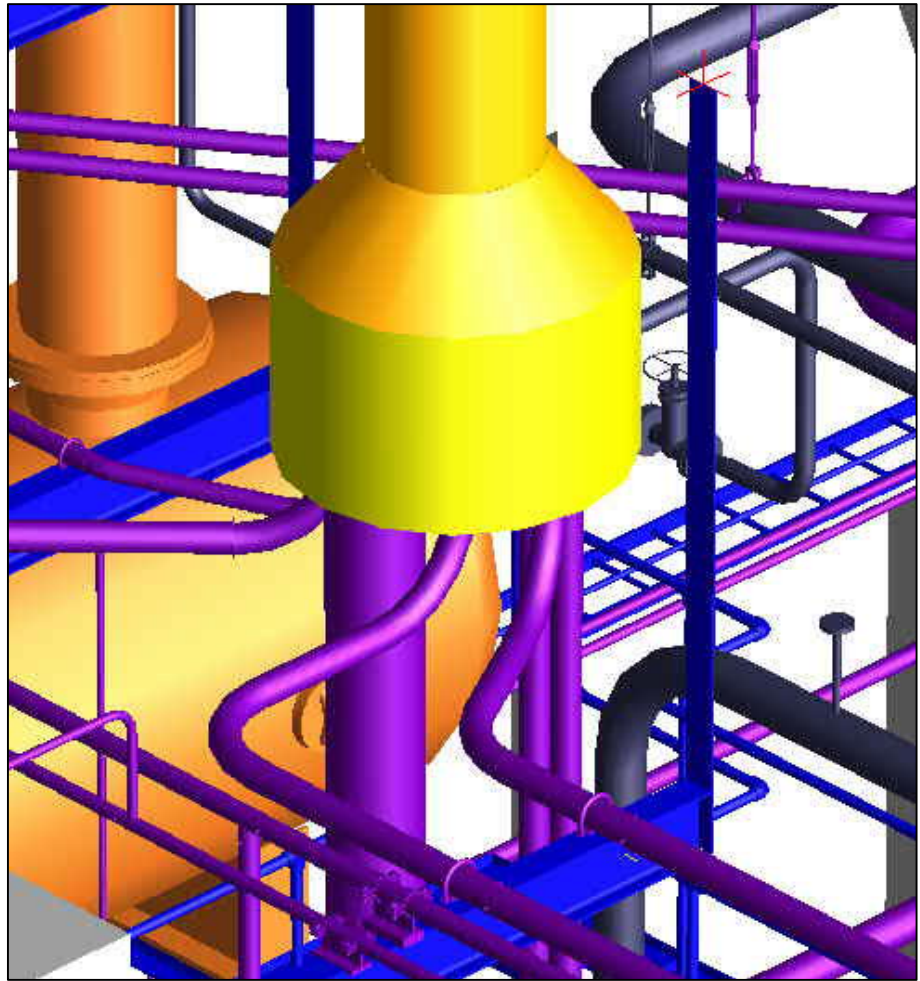


Pictures from a Steam Boiler Plant with LOOS Boilers for a METSO Paper Tissue factory in Algeria. Delivery of Piping, Ducting, Gratings, Cable Tray, Steel Structure, Pipe Supports, Components (Valves, filters, Steam Traps, Platforms (apart from Boiler Top) etc.

*METSO Paper is VALMET today -> <https://www.valmet.com/>
LOOS Industrial Boilers is SIEMENS today -> <https://www.siemens.com/>*

Plantware

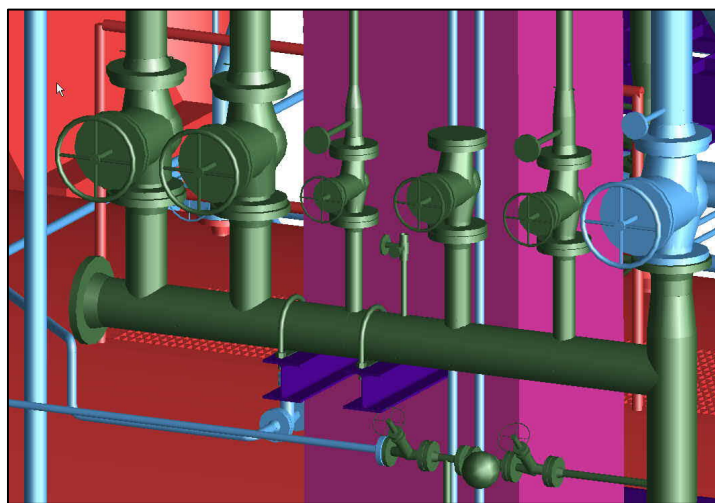
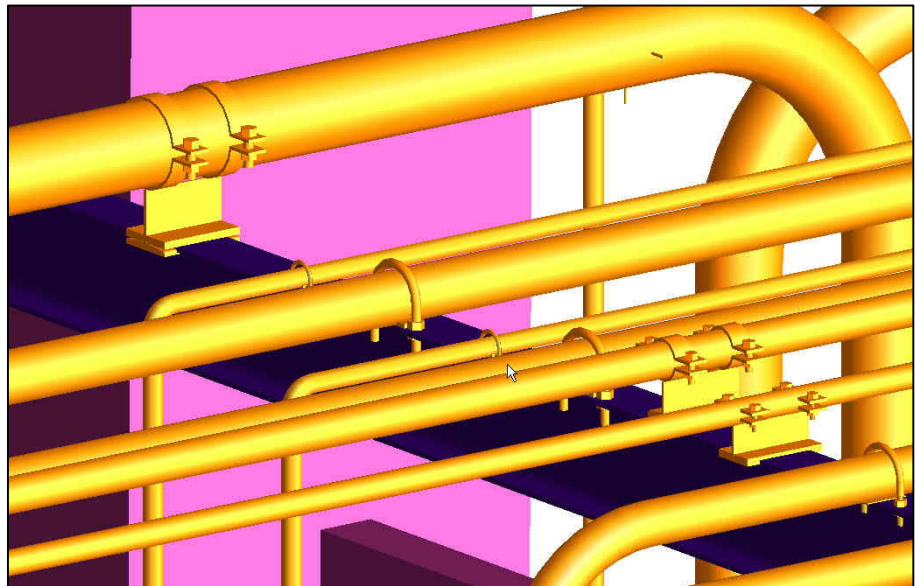
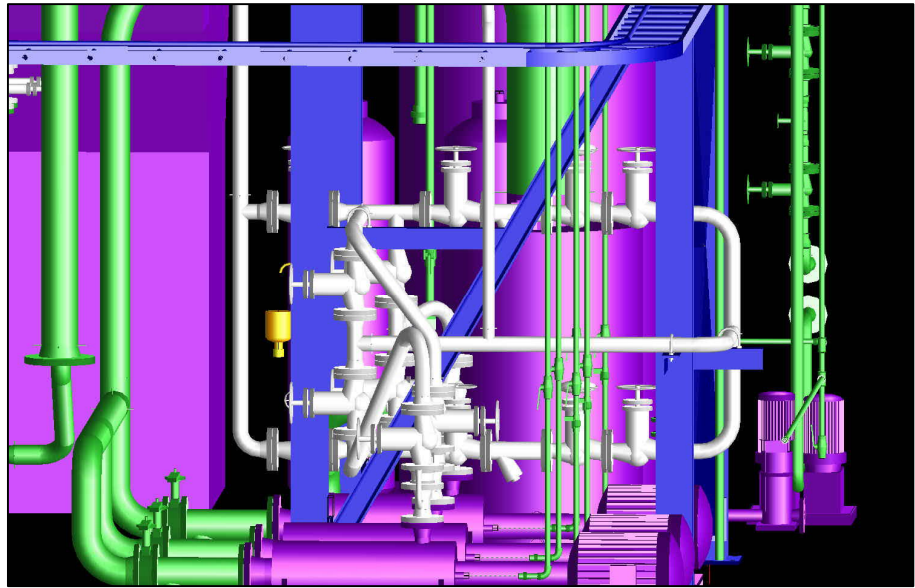
Steam Boiler Plant 20t/h@8 bar R-312



Plantware

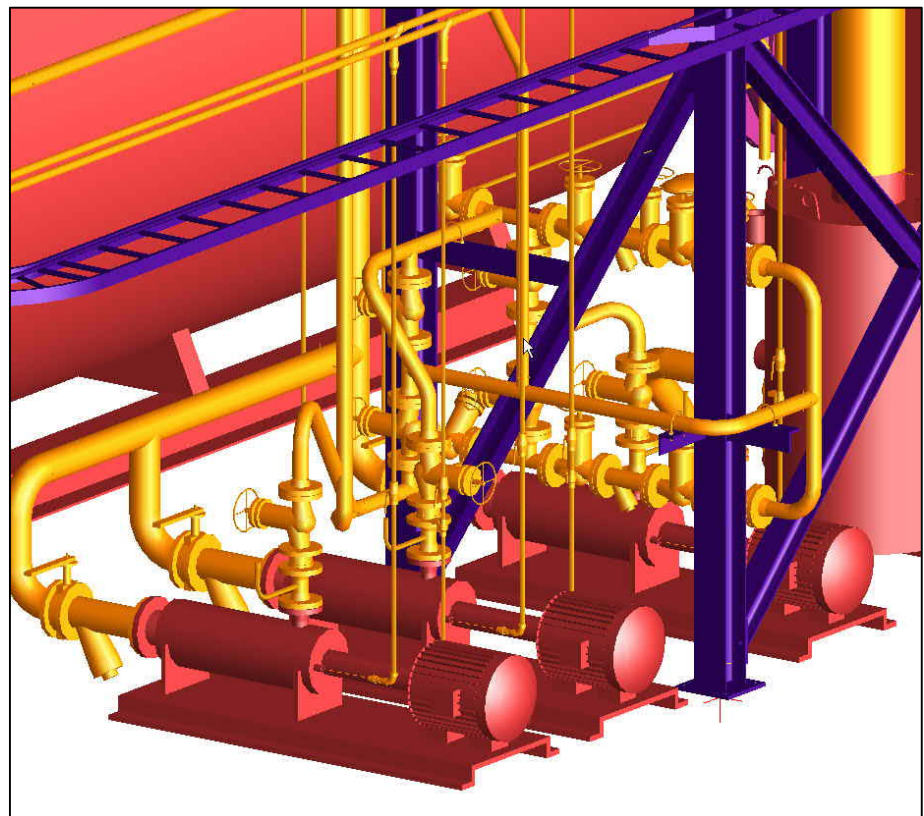
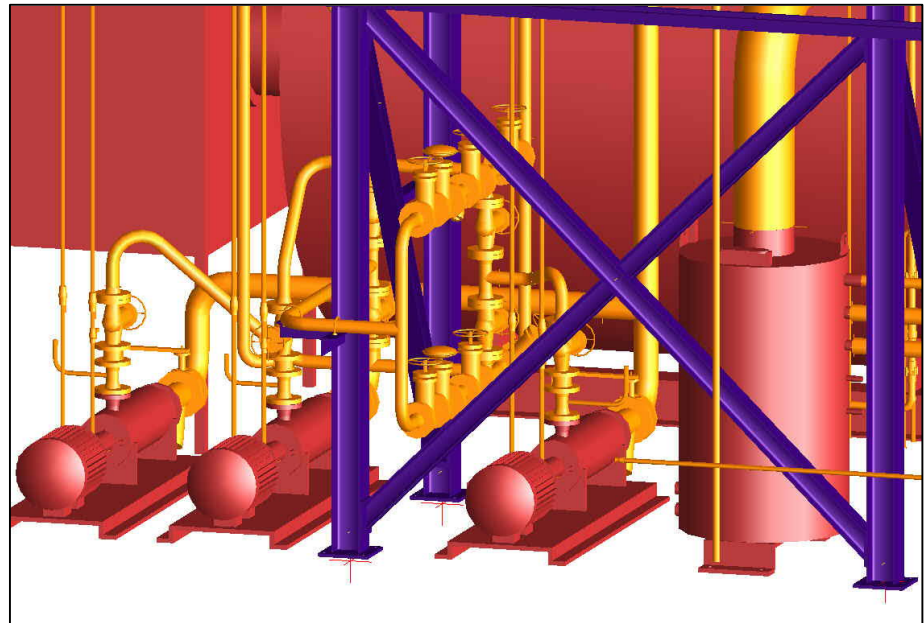
Steam Boiler Plant 20t/h@8 bar

R-311



Steam Boiler Plant 20t/h@8

R-312



Structural Steel and Platforms as well as Ducting and Large bore Blow-off Pipe was prefabricated in Denmark and Piping was Prefabricated at a workshop in Romania.

Documentation was delivered in English and French Language including Maintenance and Lubrication Instructions.

Metso handled the construction works themselves with local labor.