

Plantware

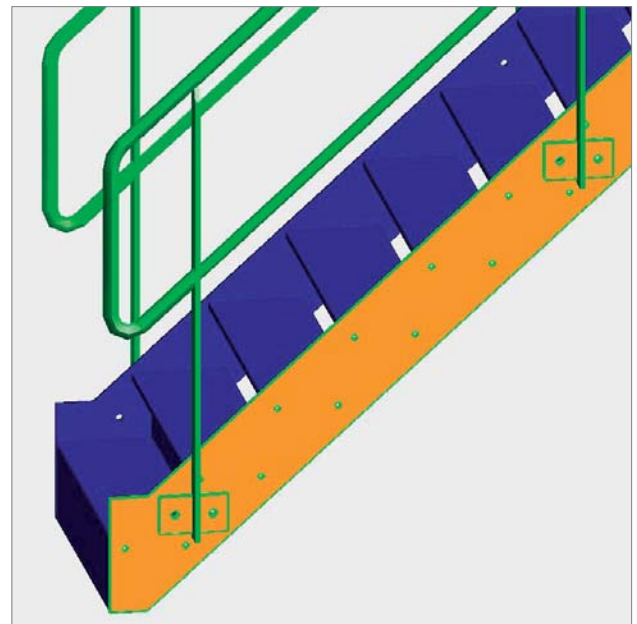
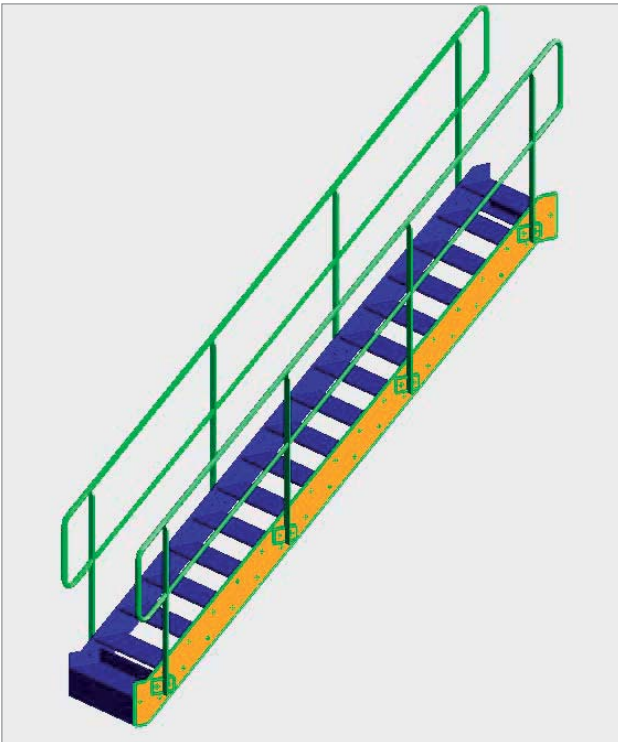
Stairs and Ladders



PlantWare has through the years developed a new Stair and Ladder module for PDMS enabling detailed engineering in PDMS for directly creation of fabrication drawings.

The Stair macro creates the stair of panels, panel fittings, steel sections. Bill of Material as well as total weight will be correct.

Further more the macro contains a PDMS Draft Version for automatically search and find all stairs in a 3D model and create the necessary drawings for fabrication for all stairs.



Contact



Christian Pallesen
Mobile +45 2526 8805
Email cp@p-engineering.dk