

Special Trolley Sun Panel Wash

P-821

P-Engineering designs – and delivers – Special Trolleys for e.g., Washing of Solar Panels placed on top of Technical Installation on a roof.

When Solar Panels are placed on top of Steel Structure Washing can be a problem. A Trolley for washing Solar Panels can be the solution. The Trolley is Equipped with:

- Gear Motor for Forward and Return Motion with worm wheel gear for Locking Motion.
- Tank for Osmosis Water
- Pump for dispersing Washing Water
- Battery Package for Supplying Motor and Pump
- Optional Lift to Lower the Lift below a Maximum Building Height.

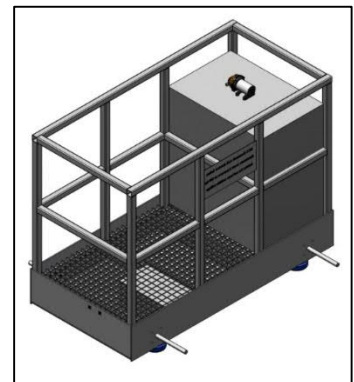
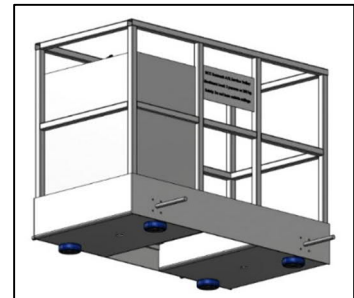
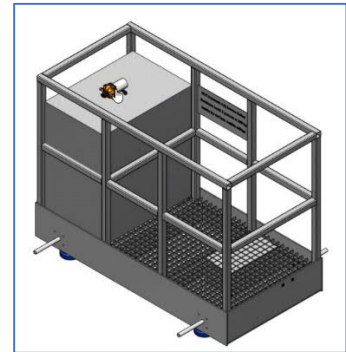
Trolley Design covers

- Structural Design
- Mechanical Design with Gear and Shaft System
- Electrical Design
- Risk Analysis and Machinery Safety
- CE-marking
- Adjacent Rail System

Contact us for a Quote on either engineering or engineering and delivery of special trolley

Contact Information:

Christian Pallesen; +45 2526 8805; cp@p-engineering.dk



Unloading of tanks onto a special trolley